

# WALLPOD:EV

FREE-TO-USE

Type 2, Mode 3 Charging Socket  
3.6kW Or 7.2kW



MANUFACTURED IN THE UK



Unit shown: WALLPOD:EV  
Socket (Type 2) Charging Unit

The WALLPOD:EV is a low-cost, entry level charging unit, designed to offer full Mode 3 fast charging to every Electric Vehicle (EV/PHEV) on the market today.

This charging unit has been specifically designed for domestic and commercial locations including offices, factories, restaurants, hotels, sports venues, etc.

## PRODUCT FEATURES

- IEC 61851-1 Mode 3 fast charging
- IEC 62196 (Type 2) charging socket
- Charging speeds - 3.6kW (16A) & 7.2kW (32A)
- Built-in overload and fault current protection (RCBO)
- Built-in LED charging status indicator
- OLEV Grant Fundable under the Electric Vehicle Homecharge Scheme
- OLEV Grant Fundable under the Workplace Charging Scheme
- Certificated by the BSI as safe to use in the domestic environment
- Easy to install and maintain
- IP65 Weatherproof & UV stabilised
- Corrosion resistant, fire retardant & impact resistant design
- CE certified



Grant Fundable



Safety in the Home Certified



Colour Options Available



IP65 Weather Proof



Flame Retardant

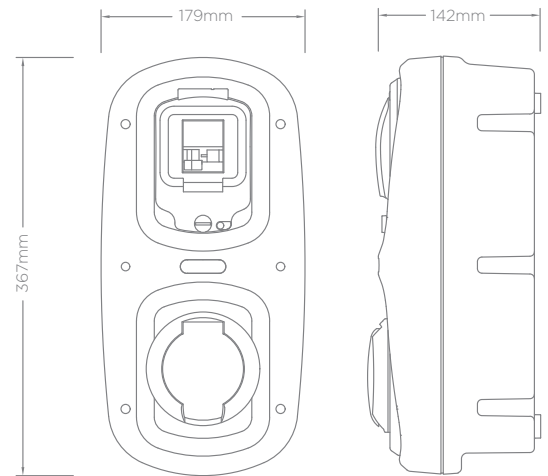


UV Stabilised

# SPECIFICATIONS

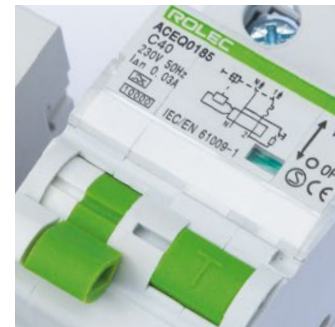
## PHYSICAL

Dimensions	179mm x 367mm x 142mm (W x H x D)
Standard Base Colour	Warm White (Other colours available upon request)
Standard Pod Colour	Green (Other colours available upon request)
Unit Material	Polycarbonate (303 EP-22)
Operating Temperature	-30°C to +50°C
Certifications & Compliances	BSI Certified - BS EN 60335-1 Wiring Regulations - BS 7671 (17th Edition) IET EV Regulations, Glow Wire Testing - IEC 60695-2-13 EMC Compliance - EN 61000-6-3:2007, EN 61000-6-2:2005 Safety Compliance - EN 60950-1:2006, EN 60950-22:2006, Low Voltage Directive (LVD) 2014/35/EU Environmental Protection - IP65 (Category 1) Weatherproof BS EN 60529, UL94 Flame Rating at V2 for 1.5mm and 3.0mm



## ELECTRICAL

Product Code	EVWP2010	EVWP2016	EVWP2020	EVWP2026
Charging Socket	IEC 62196 (Type 2)			
Rated Output	3.6kW		7.2kW	
Rated Current	16A		32A	
Charge Protocol	Mode 3			
EV Charging Compliance	EN 61851-1:2001, EN 61851-21:2002, EN 61851-22:2002			
Input Voltage	230V AC/50Hz (Single Phase)			
Overload & Fault Current Protection	Built-in 20A, 30mA Type A (DC Sensitive) RCBO		Built-in 40A, 30mA Type A (DC Sensitive) RCBO	
Incoming Cable Terminals	16mm earth			
Security Socket Hatchlock	✗	✓	✗	✓



## OPTIONS & ACCESSORIES

- Key switch control charging
- Lockable door to switchgear
- Built-in class 1 MID compliant kWh meter
- Built-in time clock providing charge time management
- Corporate branding (colours, logo badge, etc.)
- Amp-Selector key switch (switches between 16A or 32A)
- Charge-By-Solar switch (switches between 6A, 13A, 16A or 32A)
- Charge point signage
- EV charging cables (Type 1 to Type 2 or Type 2 to Type 2)

Images are for marketing purposes only and are not contractual © 2018



Head office contact:  
t: +44 (0) 1205 724754  
f: +44 (0) 1205 724876  
rolec@rolecserv.co.uk

Rolec Services Ltd  
Ralphs Lane, Frampton West  
Boston, Lincolnshire  
UK. PE20 1QU

EVWPSD  
@RolecEV  
www.rolecserv.com